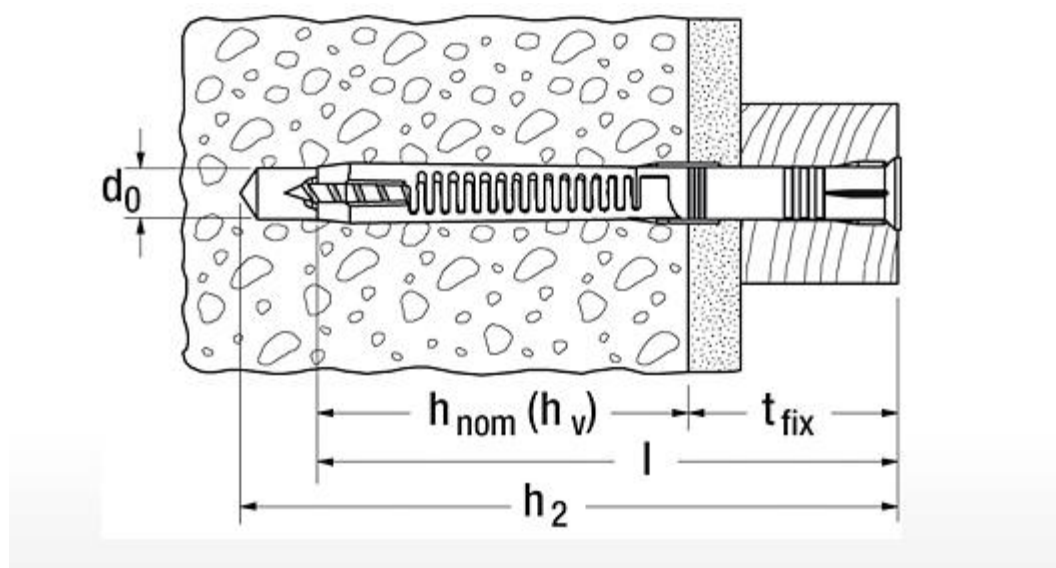


Дюбел универсален,к-кт с винт T FUR 10 x 135 T K NV, блистер



Drill hole diameter	d_0	10	[mm]
Anchor length	l	135	[mm]
Min. drill hole depth	h_1	145	[mm]
Min. drill hole depth for through fixings	h_2	145	[mm]
Min. anchorage depth	$h_{nom} (h_v)$	70	[mm]
Max. fixture thickness	t_{fix}	65	[mm]
Drive		T40	
fischer safety screw	$d_s \times l_s$	7 x 140	[mm]
Card contents		4 x FUR 10 x 135 T, 4 x safety screw 7 x 140 T40	
Sales unit		10	[pcs]
GTIN (EAN Code)		8590369454696	